

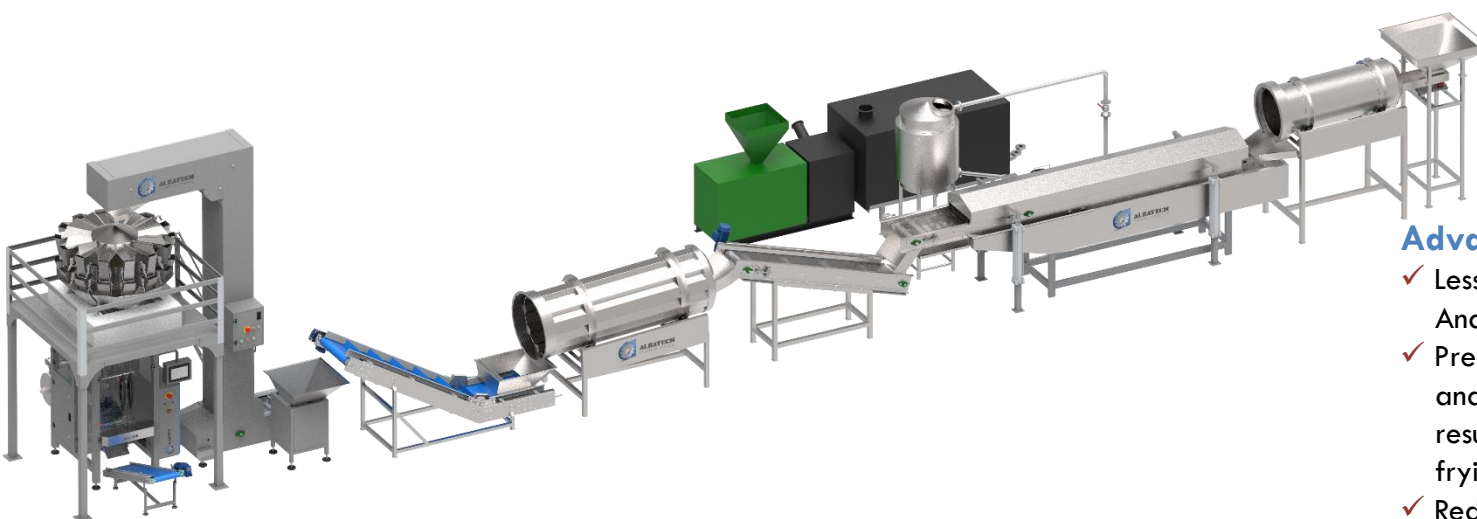


## | Fully Automatic Pallet Frying Line

Processing Solution For Potato Chips | Namkeen | Kurkure | Snacks | Fryums

# | Fully Automatic Pallet Frying Line

Fully Automatic Continuous Pellet Frying System is an innovatively designed machine which is suitable for frying of pellets.



## Products Made by the Line Are :

- | Kurkure
- | Frymes

## Special\_Features

- | Multi-flow oil injection System
- | Multiple Drives
- | Touch Screen Operating System
- | Automatic Temperature Control
- | Oil Filtration System
- | Automatic Hood Lifting System
- | Oil Tank
- | Stainless Steel Execution

## Advantages

- ✓ Less risk of breaks, downtime, leakage And failure thanks to minimal welding.
- ✓ Prevent product breakage and debris deposits in the construction, resulting in less rejected product after frying and extended oil life.
- ✓ Reduced cleaning time with no oil remains after draining the fryer.
- ✓ Provides laminar flow of oil and helps ensure each potato chip is fried evenly, also helps clear debris from bottom fryer to extend oil life and maintain product Quality.

# I Fully Automatic Pellet Frying Line

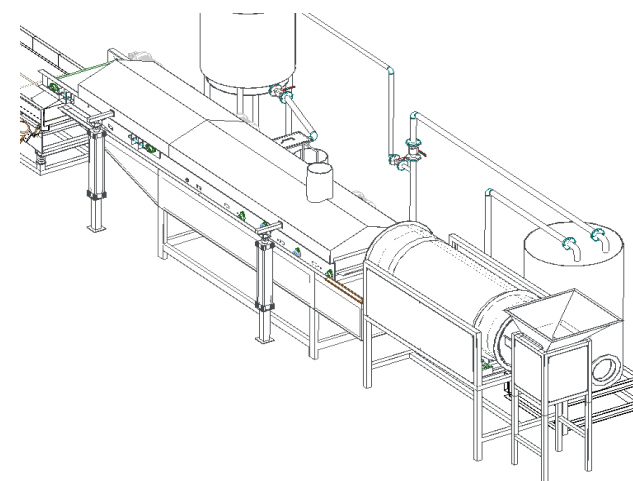


## Technical Specifications:

Alra Fully Automatic Pellet Frying Line					
	Alra PCF 200	Alra PCF300	Alra PCF 500	Alra PCF 600	Alra PCF 1000
Model					
Output	200 kg/hr	300 kg/hr	500 kg/hr	600 kg/hr	1000 kg/hr
Edible Oil Holding Capacity	200 Ltrs	300 Ltrs	400 Ltrs	500 Ltrs	1200 Ltrs
Edible Oil Filtration	Drum Filter	Drum Filter	Drum Filter	Drum Filter	Drum Filter
Total Heat Required	50,000 K Cal	1,00,000 K Cal	1,00,000 K Cal	2,00,000 K Cal	3,00,000 K Cal
Total Power Required	3HP	5HP	7 HP	9HP	13HP
Lifting System	Pneumatic/ Manual	Pneumatic/ Manual	Pneumatic/ Manual	Pneumatic/ Manual	Pneumatic/ Manual
Floor Space	600 Sq.Ft	900 Sq.Ft	1200 Sq.Ft.	1500 Sq.Ft	1800 Sq.Ft
Material of Construction	SS 304	SS 304	SS 304	SS 304	SS 304
<b>Fuel Option</b>					
Diesel	4-5 Ltr/Hr	5-6 Ltr/Hr	5-7 Ltr/Hr	8-10 Ltr/Hr	17-20 Ltr/Hr
natural Gas	5-6 Units/Hr	6-7 Units/Hr	6-8 Units/Hr	10-12 Units/Hr	20-22 Units/Hr
Wood Based (HE)	15 kg wood/Hr	20 kg wood/Hr	25 kg wood/Hr	40 kg wood/Hr	80 kg wood/Hr

## Processing System Includes Following Equipments

- I Vibratory Feeder with Hopper
- I Pre Oil Tumbler
- I Continous Frying System
- I Linear Vibratory Shaker
- I De-Oiling Conveyor
- I Flavor Applicator & Drum
- I Oil Storage Tank
- I Edible Oil Heater





| [www.alratechgroup.com](http://www.alratechgroup.com)

**Alratech Propack System**

Clover Hills Plaza, 6thFloor 612/611, NIBM-Undri Road, Pune-411048

Email: [info@alratechgroup.com](mailto:info@alratechgroup.com) | Phone : +91 20 40038857/+91 9175914730